



Stainless Steel Gate Valve for Cryogenic Service

110 Series

Application

RegO Goddard gate valves are designed for handling of cryogenic liquids through bulk tanks, trucks, trailers, ASU plants and piping configurations. Compatible with oxygen, nitrogen, CO₂, argon and LNG.

Features

- **Top Entry:** This valve can be permanently installed in the line and serviced from the top
- **Soft Seated:** PCTFE Seat provides a bubble tight seal and is replaceable
- **Construction:** Body and Bonnet ASTM A351-CF8 J92600 Stainless steel
- **Sizes:** ½" - 6" (15mm - 150mm)
- **Ends:** RF Flange, Butt weld, Socket weld, Threaded (FNPT)
- **Service:** Liquefied and vaporized atmospheric gases, LNG
- WHZ valves with Grafoil® stem packing available.
- **Temperature Rating:** -320°F - 150°F (-196°C +65°C)
- 100% Factory Tested
- Clean for use in oxygen per CGA G-4.1
- PED Approved
- **Pressure Rating:** (Cold, Non-shock)
Class 150 valve - 275 psig (19 barg)
Class 300 valve - 720 psig (50 barg)



110 Series



Ordering Information Stainless Body • RF Flange Ends

150# Part Number	300# Part Number	Valve Size		Ends	Weight 150#		Weight 300#		Estimated Cv
		Inches	MM		Lbs.	Kg	Lbs.	Kg.	
GS-00110W-8F	-	1"	25 mm	Flange	15	6.80	-	-	30.00
GS-00110W-12F	GS-00110W-12F3	1½"	40 mm		35	15.88	45	20.41	85.00
GS-00110W-16F	GS-00110W-16F3	2"	50 mm		35	15.88	50	22.68	100.00
GS-00110W-24F	GS-00110W-24F3	3"	80 mm		65	29.48	85	35.56	310.00
GS-00110W-32F	GS-00110W-32F3	4"	100 mm		90	40.82	120	54.43	700.00
GS-00110W-48F	GS-00110W-48F3	6"	150 mm		150	68.04	200	90.72	850.00

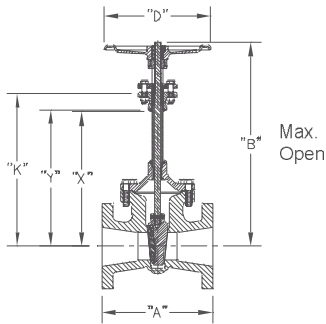
150# ANSI Class (275 psig Cold Working Pressure) 300# ANSI Class (720 psig Cold Working Pressure)

Ordering Information Stainless Body • Butt Weld, Socket Weld, Threaded Ends

150# Part Number	300# Part Number	Valve Size		Ends	Weight		Estimated Cv
		Inches	MM		Lbs.	Kg.	
GS-00110W-4WA	-	½"	15 mm	Butt Weld SCH10	10	4.54	7.00
GS-00110W-4S3	GS-00110W-4S3			Socket Weld	15	6.80	
GS-00110W-4T	-			Threaded	10	4.54	
GS-00110W-6WA	-	¾"	20 mm	Butt Weld SCH10	15	6.80	23.00
GS-00110W-6S3	GS-00110W-6S3			Socket Weld			
GS-00110W-8WA	-	1"	25 mm	Butt Weld SCH10	10	4.54	30.00
GS-00110W-8S3	GS-00110W-8S3			Socket Weld	15	6.80	
GS-110W-8T	-			Threaded	10	4.54	
GS-00110W-12WA	-	1½"	40 mm	Butt Weld SCH10	30	13.61	85.00
GS-00110W-12S3	GS-00110W-12S3			Socket Weld			
GS-00110W-16W3A	GS-00110W-16W3A	2"	50 mm	Butt Weld SCH10	35	15.88	100.00
GS-00110W-16W3J	GS-00110W-16W3J			Butt Weld SCH40			
GS-00110W-16S	-	3"	80 mm	Socket Weld	30	13.61	310.00
GS-00110W-24W3A	GS-00110W-24W3A			Butt Weld SCH10	65	29.48	
GS-00110W-24W3J	GS-00110W-24W3J	Butt Weld SCH40					
GS-00110W-32W3A	GS-00110W-32W3A	4"	100 mm	Butt Weld SCH10	80	40.82	700.00
GS-00110W-32W3J	GS-00110W-32W3J			Butt Weld SCH40			
GS-00110W-48WA	GS-00110W-48W3A	6"	150 mm	Butt Weld SCH10	120/150*	54.43/68.04*	850.00
GS-00110W-48W3J	GS-00110W-48W3J			Butt Weld SCH40			

150# ANSI Class (275 psig Cold Working Pressure) 300# ANSI Class (720 psig Cold Working Pressure)* Second number indicates valve for 300# part number. Service: 300#-720 psig Non-shock Cold • Service: 150#-275 psig Non-shock Cold • Temperature Rating +150°F - 325°F • Mounting plate option available

Stainless Steel Gate Valve for Cryogenic Service 110 Series

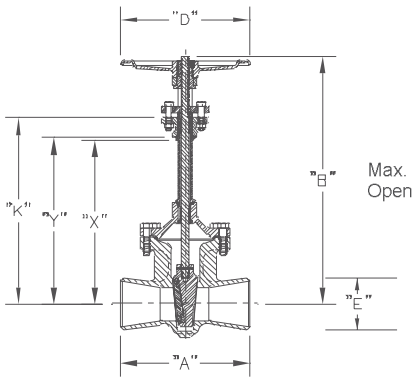


Raised Face Flange Ends*

Size	"A" 150#	"A" 300#	"B"	"D"	"K"	"X"	"Y"
1"	4 $\frac{1}{8}$ "	N/A	17 $\frac{3}{4}$ "	4 $\frac{1}{2}$ "	12 $\frac{3}{4}$ "	11 $\frac{1}{16}$ "	11 $\frac{3}{8}$ "
1 $\frac{1}{2}$ "	4 $\frac{5}{8}$ "	6 $\frac{1}{8}$ "*	21 $\frac{1}{8}$ "	7"	14"	12 $\frac{5}{16}$ "	12 $\frac{5}{8}$ "
2"	7"	7 $\frac{1}{4}$ "*	21 $\frac{1}{8}$ "	7"	14"	12 $\frac{5}{16}$ "	12 $\frac{5}{8}$ "
3"	8"	8 $\frac{3}{4}$ "*	31 $\frac{1}{2}$ "	12"	20"	17 $\frac{3}{4}$ "	18 $\frac{1}{16}$ "
4"	9"	12"	33 $\frac{3}{4}$ "	12"	21 $\frac{1}{2}$ "	19 $\frac{1}{4}$ "	19 $\frac{7}{16}$ "
6"	10 $\frac{1}{2}$ "	15 $\frac{5}{8}$ "	41 $\frac{1}{2}$ "	16"	26"	23 $\frac{3}{16}$ "	23 $\frac{3}{8}$ "

*Face-to-face dimensions (A) are Goddard standard not to ANSI standard.

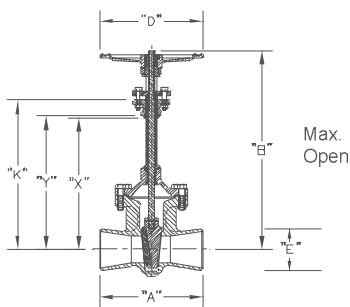
● Special B, K, X & Y Dimensions Available



Socket Weld Ends

Size	"A" 150#	"A" 300#	"B"	"D"	"E"	"F"	"K"	"X"	"Y"
$\frac{1}{2}$ "	3 $\frac{3}{4}$ "	3 $\frac{3}{4}$ "	17 $\frac{3}{4}$ "	4 $\frac{1}{2}$ "	.855	$\frac{3}{8}$ "	12 $\frac{3}{4}$ "	11 $\frac{1}{16}$ "	11 $\frac{3}{8}$ "
$\frac{3}{4}$ "					1.065				
1"	3 $\frac{1}{2}$ "	4"			1.330	$\frac{1}{2}$ "			
1 $\frac{1}{2}$ "	4 $\frac{5}{8}$ "	5"	21 $\frac{1}{8}$ "	7"	1.915	$\frac{1}{2}$ "	14"	12 $\frac{5}{16}$ "	12 $\frac{5}{8}$ "
2"	8 $\frac{1}{2}$ "	N/A			2.406				

● Special B, K, X & Y Dimensions Available



Butt Weld Ends

Size	"A" 150#	"A" 300#	"B"	"D"	"K"	"X"	"Y"
$\frac{1}{2}$ "	4 $\frac{1}{4}$ "	N/A	17 $\frac{3}{4}$ "	4 $\frac{1}{2}$ "	12 $\frac{3}{4}$ "	11 $\frac{1}{16}$ "	11 $\frac{3}{8}$ "
$\frac{3}{4}$ "	4 $\frac{5}{8}$ "	N/A	17 $\frac{3}{4}$ "	4 $\frac{1}{2}$ "	12 $\frac{3}{4}$ "	11 $\frac{1}{16}$ "	11 $\frac{3}{8}$ "
1"	5"	N/A	17 $\frac{3}{4}$ "	4 $\frac{1}{2}$ "	12 $\frac{3}{4}$ "	11 $\frac{1}{16}$ "	11 $\frac{3}{8}$ "
1 $\frac{1}{2}$ "	6"	6"	21 $\frac{1}{8}$ "	7"	14"	12 $\frac{5}{16}$ "	12 $\frac{5}{8}$ "
2"	8 $\frac{1}{2}$ "	8 $\frac{1}{2}$ "	21 $\frac{1}{8}$ "	7"	14"	12 $\frac{5}{16}$ "	12 $\frac{5}{8}$ "
3"	11 $\frac{1}{8}$ "	11 $\frac{1}{8}$ "	31 $\frac{1}{2}$ "	12"	20"	17 $\frac{3}{4}$ "	18 $\frac{1}{16}$ "
4"	12"	12"	33 $\frac{3}{4}$ "	12"	21 $\frac{1}{2}$ "	19 $\frac{1}{4}$ "	19 $\frac{7}{16}$ "
6"	15 $\frac{5}{8}$ "	15 $\frac{5}{8}$ "	41 $\frac{1}{2}$ "	16"	26"	23 $\frac{3}{16}$ "	23 $\frac{3}{8}$ "

● Special B, K, X & Y Dimensions Available

● Unless otherwise specified, Schedule 10 weld ends are supplied



Stainless Steel Gate Valve for Cryogenic Service 110WHZ Series

Application

RegO Goddard gate valves are designed for handling of cryogenic liquids through bulk tanks, trucks, trailers, ASU plants and piping configurations. Compatible with oxygen, nitrogen, CO₂, argon and LNG.

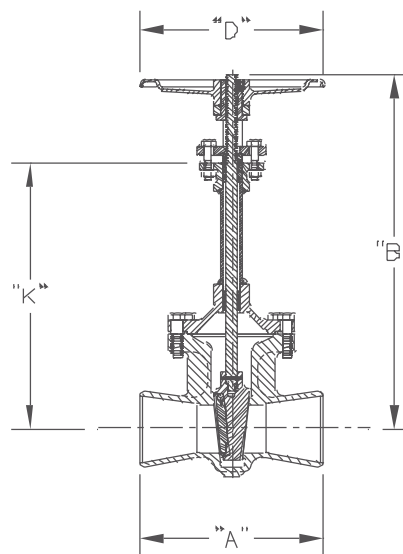
Features

- **Top Entry:** This valve can be permanently installed in the line and serviced from the top
- **Soft Seated:** PCTFE Seat provides a bubble tight seal and is replaceable
- **Construction:** Stainless steel body and bonnet
- **Sizes:** ½" - 6" (15mm - 150mm)
- **Ends:** RF Flange, Butt weld, Socket weld, Threaded (FNPT)
- **Service:** Liquefied and vaporized atmospheric gases, LNG
- Grafoil® stem packing.
- **Temperature Rating:** -320°F - 150°F (-196°C +65°C)
- 100% Factory Tested
- Clean for use in oxygen per CGA G-4.1
- Grafoil® Stem Packing
- **Pressure Rating:** (Cold, Non-shock)
Class 150 valve - 275 psig (19 barg)
Class 300 valve - 720 psig (50 barg)

½" - 6" Class 150
PED Approved
½" - 6" Class 300
PED Approved



S-110WHZ-W



Ordering Information

Part Number	Ends	Size	"A"	"B"	"D"	"K"	Estimated Cv	Weight (Lbs.)
GS-110WHZ-16W3A	S10	2"	8.50	21.88	7	14	100	35
GS-110WHZ-16W3J	S40							
GS-110WHZ-24W3A	S10	3"	11.12	31.5	12	20	310	65
GS-110WHZ-24W3J	S40							
GS-110WHZ-32W3A	S10	4"	12	33.75	12	21.5	700	80
GS-110WHZ-32W3J	S40							
GS-110WHZ-48W3A	S10	6"	15.88	41.5	16	26	850	150
GS-110WHZ-48W3J	S40							

Ordering Information

Part Number	Size	"A"	"B"	"D"	"G"	"H"	"K"	Estimated Cv	Weight (Lbs.)
GS-110WHZ-4S3	½"	3.75	17.75	4.5	.38	.86	12.8	7	15
GS-110WHZ-6S3	¾"							1.07	
GS-110WHZ-8S3	1"	4	30	1.33	30				
GS-110WHZ-12S3	1½"	5	85	21.88	7	1.92	14	35	

